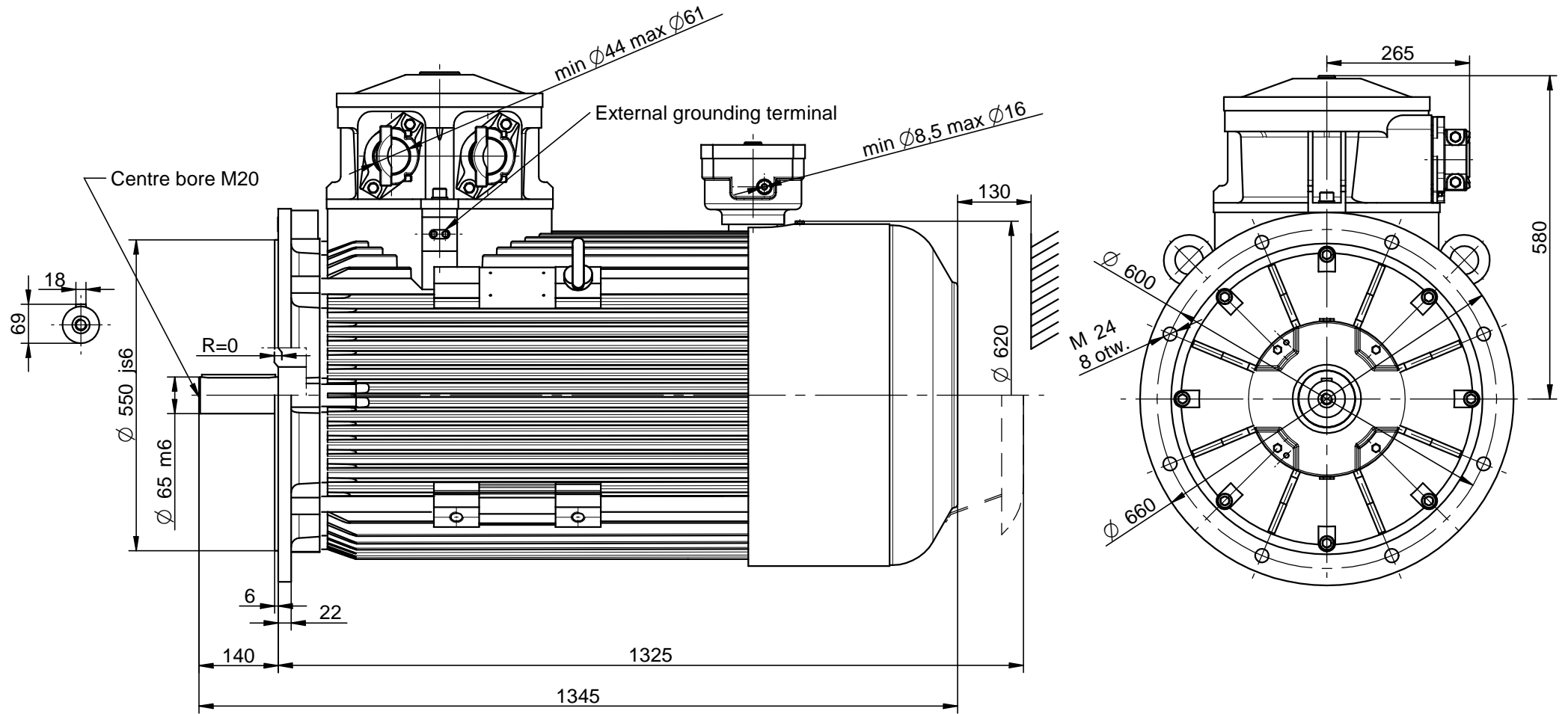


Scale 1:10

Drawing is for reference dimensions only and subject to change.



(E)cSTe 315 M2C



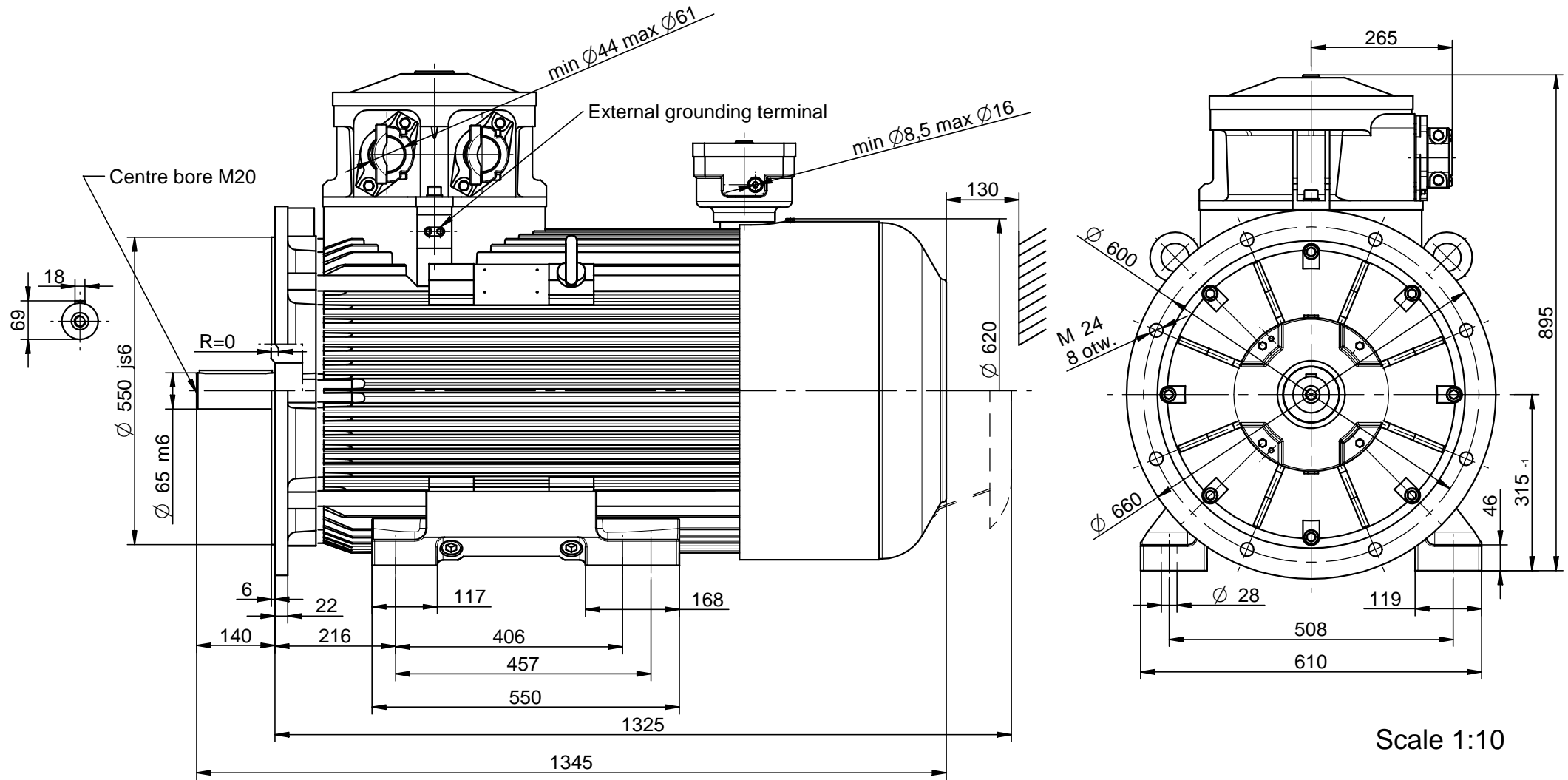
Scale 1:10

Drawing is for reference dimensions only and subject to change.

Cantoni[®]
GROUP

CELMA

(E)cSTKe 315 M2C



Drawing is for reference dimensions only and subject to change.

Cantoni[®]
GROUP

CELMA

(E)cSTLe 315 M2C